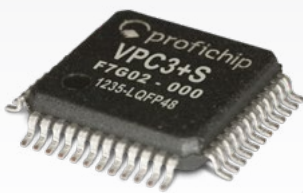


**YASKAWA**

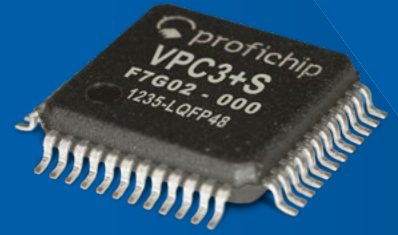
# profichip<sup>®</sup> VPC3+S

PROFIBUS<sup>®</sup> DP Slave Controller with Serial Interface

Available  
in two  
sizes



- SPI, I<sup>2</sup>C, parallel interface
- 4 kB communication RAM
- Function and software compatible with VPC3+C and SPC3 from Siemens
- Supports PROFIBUS DP-V0, DP-V1 and DP-V2 protocols
- HW-PLL for DP-V2 – ISOM
- Ultra low power, V<sub>cc</sub> 3.3 V
- Software stack and Evaluation kit
- BGA48 / LQFP48 package or proficonn<sup>®</sup> module



## The smallest PROFIBUS slave ASIC of them all

### Description

profichip's VPC3+S is a communication chip with an 8-bit parallel, SPI, or I<sup>2</sup>C microprocessor interface for intelligent PROFIBUS Slave applications.

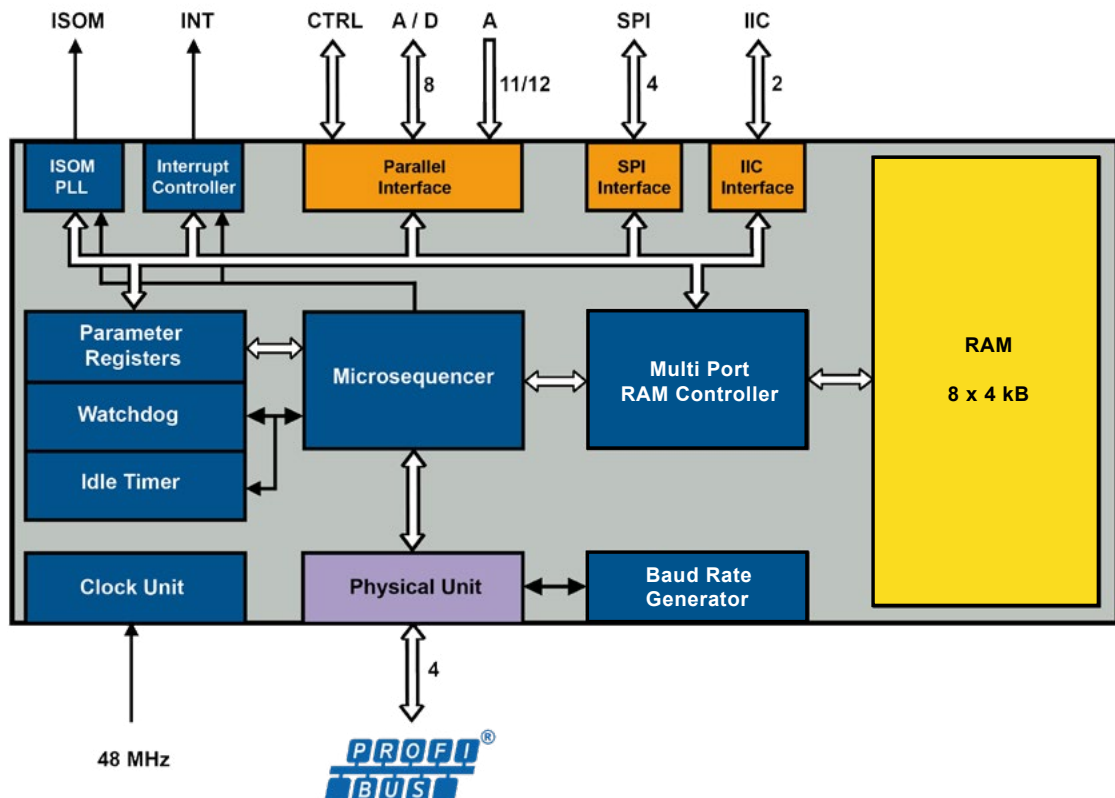
### Operation

The VPC3+S handles the message and address identification, checks the data security sequences and protocol processes for PROFIBUS DP. It also supports acyclic communication and alarm messages, described in the DP-V1 extension.

Features described in the DP-V2 extension, as Slave-to-Slave communication Data eXchange Broadcast (DXB), clock synchronization, and the Isochronous-Mode (IsoM), are also provided.

### Data Transmission

Automatic baud rate recognition and support of data transmission rates up to 12 Mbit/s, the complete PROFIBUS DP protocol integration, 4 kB communication RAM, and flexible processor interfaces are features to create state-of-the-art PROFIBUS Slave applications.



Compatible with



48 MHz



YASKAWA Europe GmbH

Hugo-Junkers-Str. 13  
90411 Nuremberg  
Germany

+49 9132 744-200  
sales.profichip@yaskawa.eu  
www.profichip.com

01/2023 | YEU\_PROFICHIP\_VPC3+S