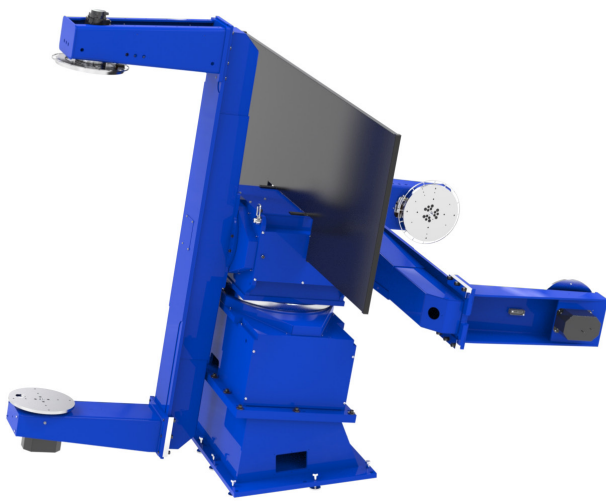


VMF-500, VMF-750

Two station tilt-rotate positioner with C arms.



- High freedom of positioning.
- Designed for operator ease of use.
- Vertical station changing.

This is a two station positioner for workpieces that require rotation about one axis. It has been designed for operator ease of use, with a suitable working height for loading/unloading the fixtures, and is delivered complete with an anti-glare shield.

Available accessories

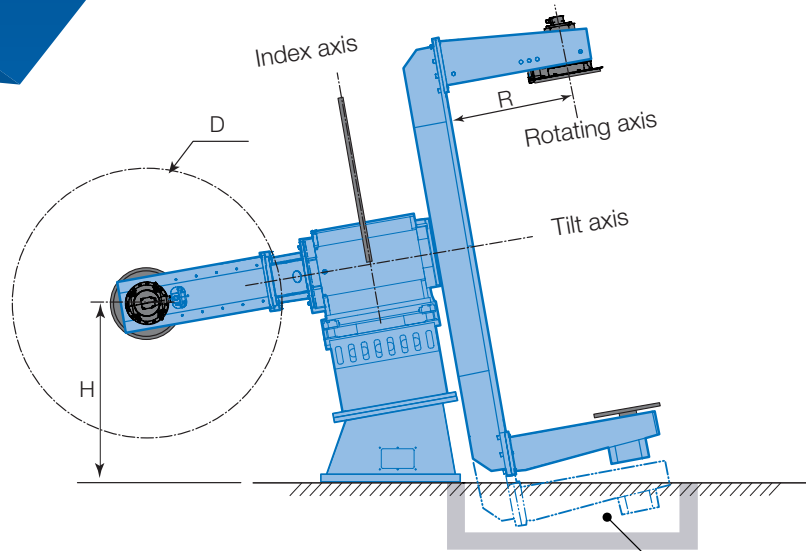
- Slip ring device
- Controlled air
- Fixture bracket

Technical data		VMF-500 S5Y	VMF-750 S5Y
Max. payload	load per station	500 kg	750 kg
Max fixture width	diameter	ø1500, ø1700 mm	ø1500 mm
Welding capacity	100% duty cycle 60% duty cycle	2x 350 A 2x 460 A	2x 350 A 2x 460 A
Index axis	Motor power Torque dynamic Torque static	3.0 kW 6055 Nm 4844 Nm	3.0 kW 6055 Nm 4844 Nm
Tilt axis	Motor power Torque dynamic Torque static	1.3 kW 3348 Nm 2678 Nm	1.3 kW 3348 Nm 2678 Nm
Rotating axis	Motor power Torque dynamic Torque static Offset	1.3 kW 952 Nm 762 Nm 155 mm	2.0 kW 1329 Nm 1063 Nm 145 mm

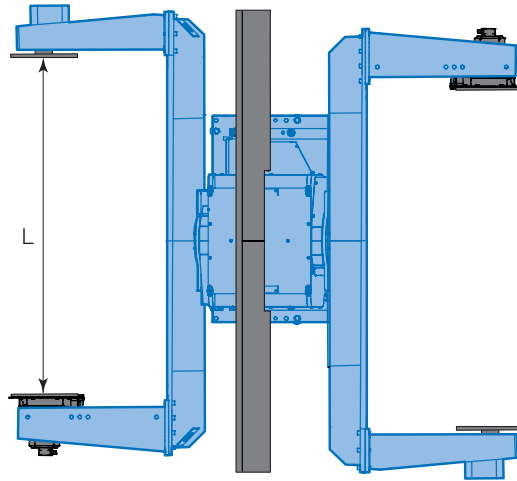
New generation
Sigma-7

Controlled by
YRC1000

VMF-500, -750



For models with a distance between the fixture plates (L) of 2000-2500 mm or more, this solution makes it possible to fully rotate the arms.



	D (mm)	H (mm)	r (mm)	L (mm)	Weight	Part No.
VMF-500 S5Y	ø 1500	1070	750	1500-2050	3232 kg	124636-701
	ø 1700	1052	850	1500-2050	3251 kg	124636-702
	ø 1500	1070	750	2000-2500	3349 kg	124637-701
	ø 1500	1070	750	2500-3000	3472 kg	124638-701
VMF-750 S5Y	ø 1500	1070	750	1500-2050	3272 kg	124640-701
	ø 1500	1070	750	2000-2500	3385 kg	124641-701
	ø 1500	1070	750	2500-3000	3517 kg	124642-701
	ø 1500	1070	750	2800-3300	3587 kg	124643-701

YASKAWA



YASKAWA Nordic AB
PO Box 504
SE-385 25 Torsås, SWEDEN