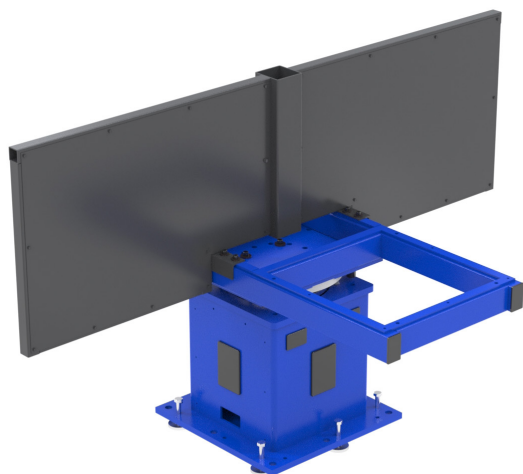


VMI-200, VMI-400

Two station turntable.



- Simple, modular design.
- Servo powered.
- Suitable working height.

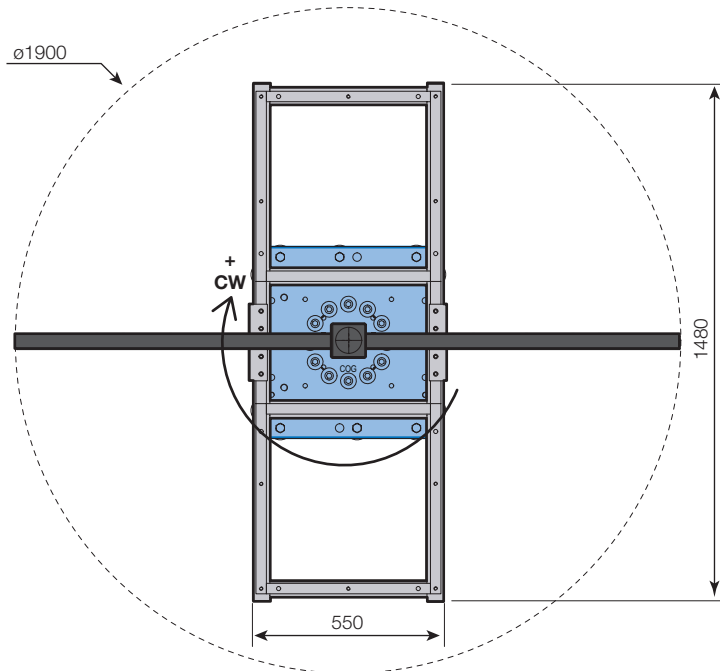
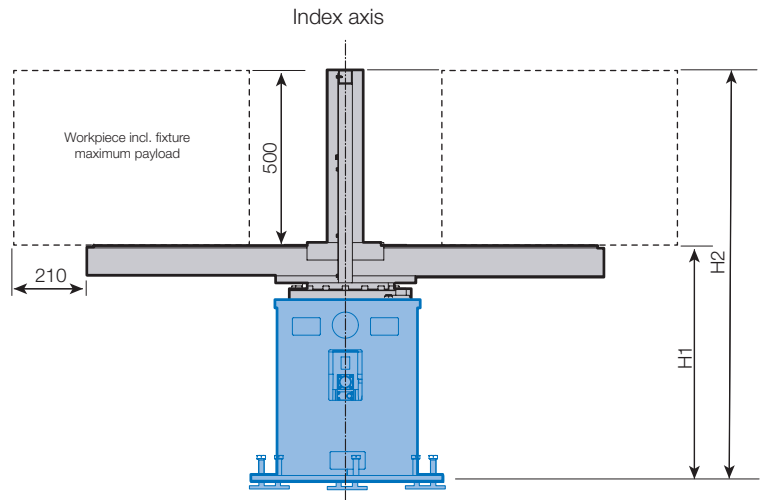
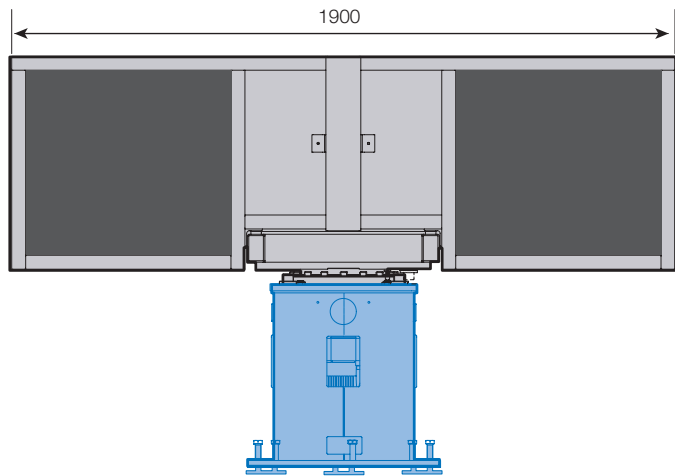
This is a two station servo powered turntable, with anti-glare shield included, for workpieces in a fixed position during welding. It has been designed for operator ease of use, with a suitable working height for loading and unloading the fixtures.

Technical data		VMI-200 SD	VMI-400 SD
Max. payload per station		200 kg	400 kg
Index axis torque	dynamic	1330 Nm	2070 Nm
	static	1064 Nm	1656 Nm
Index axis	rated speed	0-10.6 rpm	0-10.6 rpm
	maximum speed	30 rpm	28.4 rpm
Weight		293 kg	323 kg
Part No.		133387-101	148155-100

Controlled by
YRC1000

Controlled by
DX200

VMI-200, -400



	H1 (mm)	H2 (mm)	Part No.
VMI-200 SD	630	1132	133387-101
VMI-400 SD	675	1177	148155-100

YASKAWA

