

# ArcWorld CS

## Turnkey Robotic Arc Welding Cell



### KEY BENEFITS

- Easy to operate
- Short delivery times
- Small footprint, but generous space for the robot
- Easy to install, and to relocate on site
- Material can be loaded with an overhead crane
- Practical and bright environment for the operator
- Prepared for offline programming

### All in one Place

The robot, positioner, controller and power supply are all mounted on a common platform. This design makes it easy to move the whole robot cell and start up again if needed.

ArcWorld CS has a single working area design for the robot and operator respectively. The operator has a permanent, practical and bright workplace with the required materials close at hand. It is also possible to have two robots working without increasing the floor space.

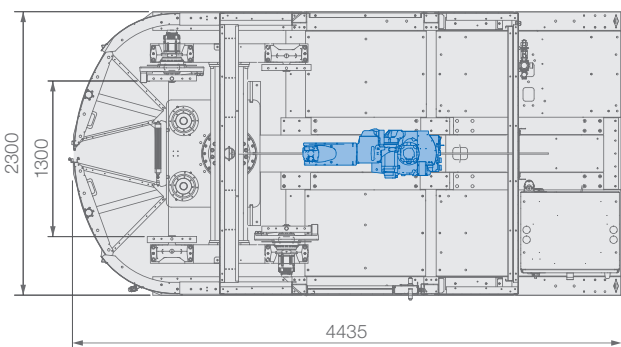
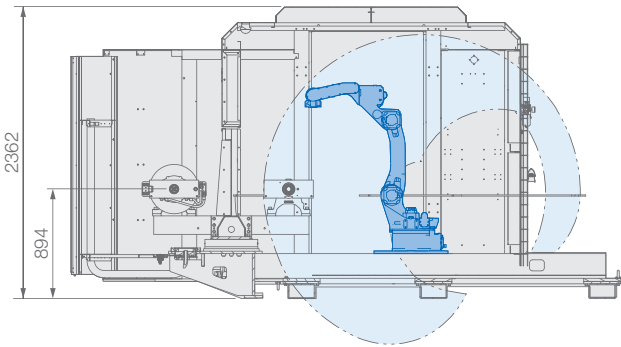
### SCOPE OF DELIVERY

- Platform, metal walls, plexi doors and fume hood with outlets for ventilation and exhaust
- MOTOMAN industrial robot AR1440
- Positioner with two stations, 500 kg payload per station
- Fixture size 1300 or 2050 mm
- Start panel
- CE marking

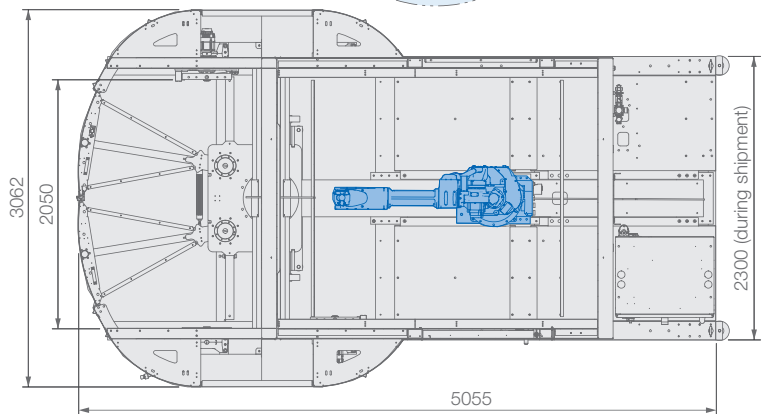
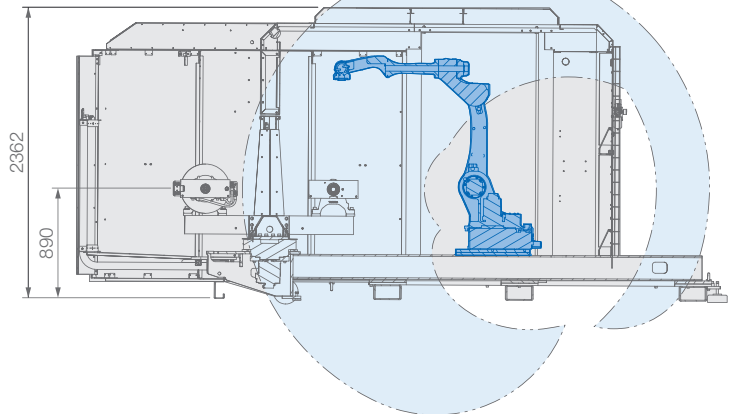
### OPTIONS

- Welding equipment for MIG/MAG welding
- Twin robots
- Media transfer (signal, air, current) for the positioner
- Fixed positioner table
- Operator's panel with HMI
- Service door located on the opposite (left) side
- MotoSim with kinematic simulation
- Beacon light

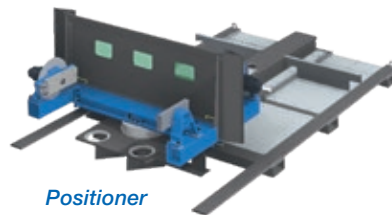
## Fixture size 1300 mm



## Fixture size 2050 mm



AR1440



Positioner

### Technical data AR1440

Controlled axes	6
Max. payload [kg]	12
Repeatability [mm]	±0.02
Max. working range R [mm]	1440

### Technical data Positioner

Max. payload [kg]	500 per station
Max. distance COG to rotation-axis [mm]	150
Rated speed [rpm]	9.0
Index time [sec.]	3



## Yaskawa Europe GmbH

Robotics Division  
Yaskawastraße 1  
85391 Allershausen  
Germany

Tel. +49 (0) 8166 90-0  
robotics@yaskawa.eu.com  
www.yaskawa.eu.com

ArcWorld CS  
B-11-2020, A-No. 188662