

YASKAWA

MOTOMAN GP8L

Handling & General Applications
with the GP Series



The 6-axis MOTOMAN GP8L is a fast, general-purpose industrial robot with 8 kg payload and a long reach of 1,636 mm.

With its slim design and compact, very narrow wrist, it is particularly suitable for applications where space is at a premium, such as loading/unloading containers in packaging technology or logistics. Automation around machine tools and injection molding machines can also be excellently implemented with this robot.

Its intelligent Yaskawa Sigma-7 drive technology enables fast cycle times with high repeatability of ± 0.02 mm.

With numerous functions, interfaces and communication options of the YRC1000/YRC1000micro controllers, the MOTOMAN GP8L is open to a full range of different technologies, including modern sensor systems and image processing systems, which can be combined very well with this robot. Alternatively, the proven MOTOMAN teach pendant or the innovative Smart Pendant for newcomers to industrial automation are available for programming.

KEY BENEFITS

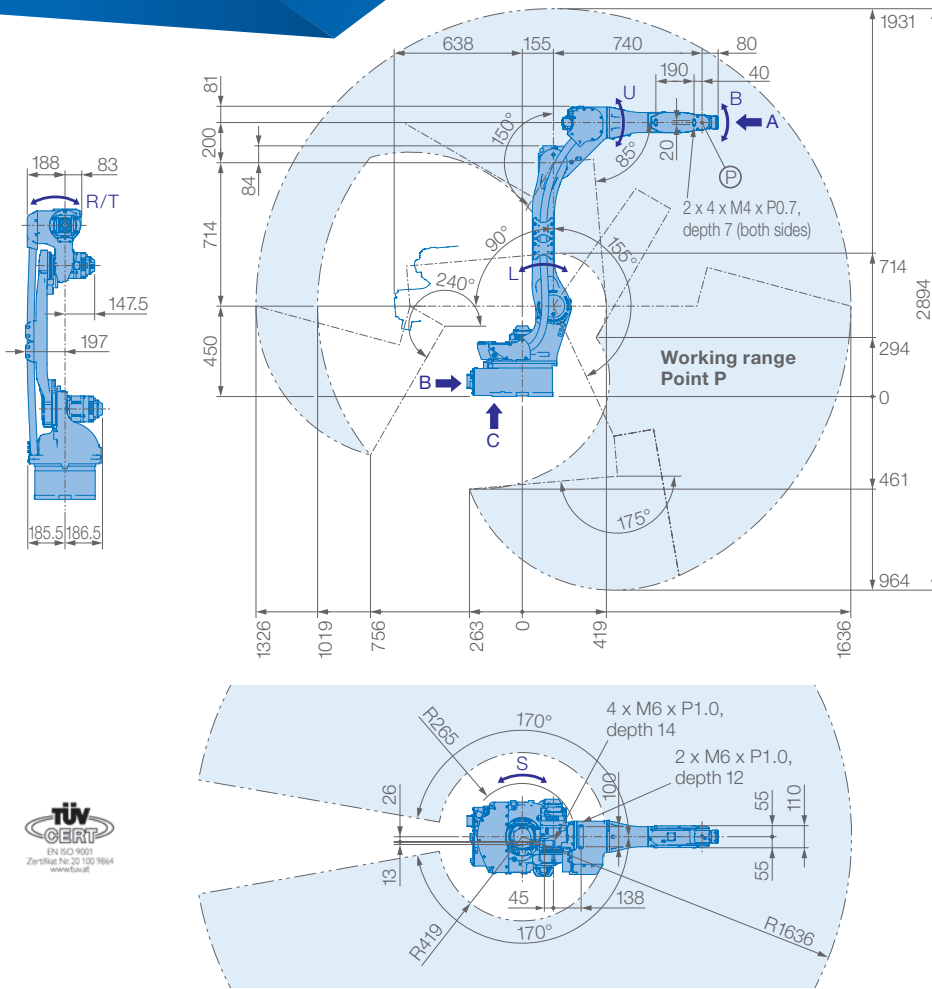
- Universal use
- Fast cycle times
- Compact design and slim wrist
- Long reach: 1,636 mm
- Internal media guide
- Easy installation, commissioning and operation

Further product information:

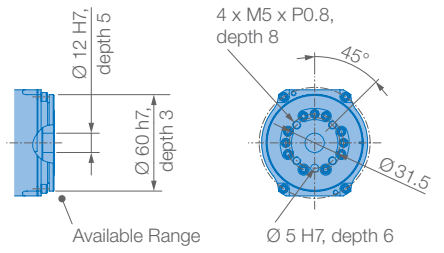


Controlled by
YRC1000

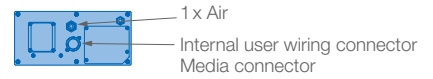
Controlled by
**YRC1000
micro**



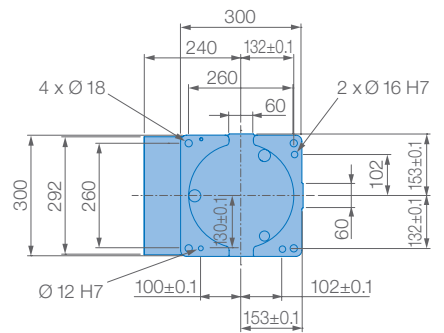
View A



View B



View C



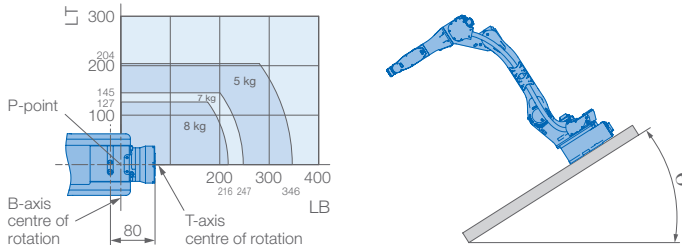
Mounting options: Floor, ceiling, wall, tilt*
 IP Protection: Main axes (S, L, U) IP54, wrist IP67

* tilt with condition of angle – see table below

Allowable wrist load

Prevent interaction of the robot with:

- Corrosive gases, liquids or explosive gases
- Exposure to water, oil or dust
- Excessive electrical noise (plasma)



Robot installation angle θ [deg.]	S-axis operating range [deg.]
$0 \leq \theta \leq 30$	± 170 max. no limit
$30 < \theta \leq 35$	± 60 max.
$35 < \theta \leq 45$	± 45 max.
$45 < \theta$	± 30 max.

Specifications GP8L

Axes	Maximum motion range [°]	Maximum speed [°/s]	Allowable moment [Nm]	Allowable moment of inertia [kg · m ²]	Controlled axes	
S	± 170	260	–	–	Max. payload [kg]	6
L	+155/–90	230	–	–	Repeatability [mm]	8
U	+150/–85	260	–	–	Max. working range R [mm]	$\pm 0.02^*$
R	± 200	470	17	0.5	Temperature [°C]	1636
B	± 135	550	17	0.5	Humidity [%]	0 to +45
T	± 360	1000	10	0.2	Weight [kg]	20 – 80
					Power supply, average [kVA]	155
						1.5**

* Conforms to ISO 9283 ** Varies in accordance with applications and motion patterns Note: SI units are used for specifications.

Yaskawa Europe GmbH

Robotics Division
 Yaskawastraße 1
 85391 Allershausen
 Germany

Tel. +49 (0) 8166 90-0
 robotics@yaskawa.eu
 www.yaskawa.eu

All drawing dimensions in mm. Technical data may be subject to change without previous notice. Please request detailed drawings at robotics@yaskawa.eu.



YR-1-06VXL8-A00
 C-03-2024, A-No. 220788