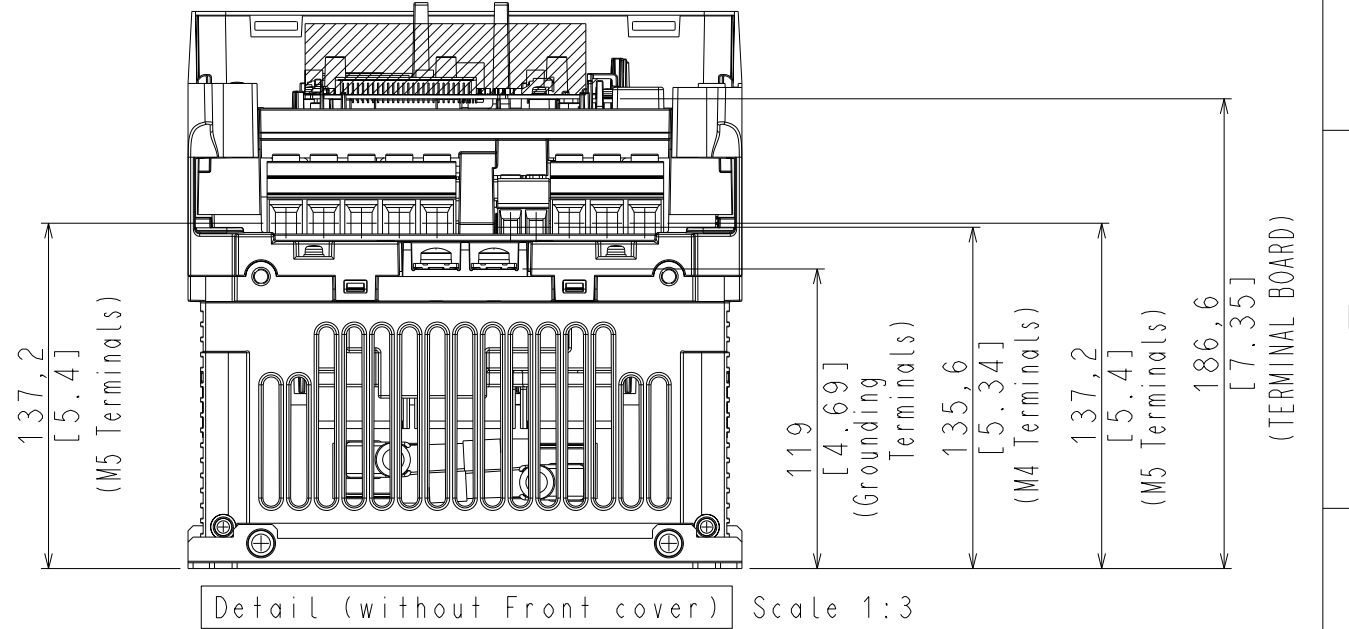
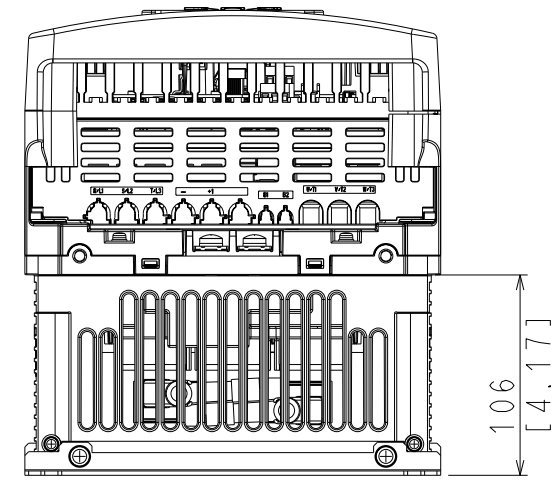
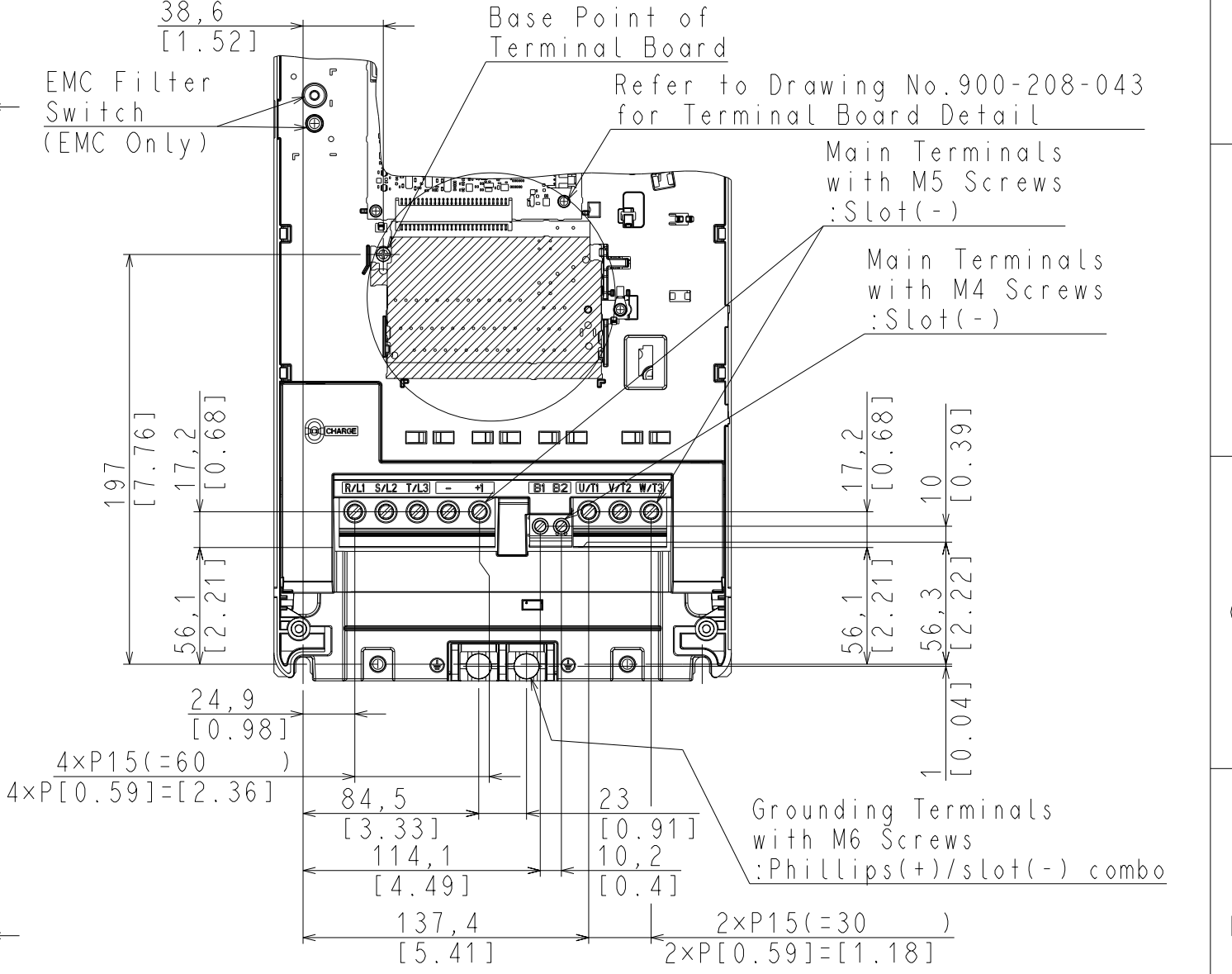
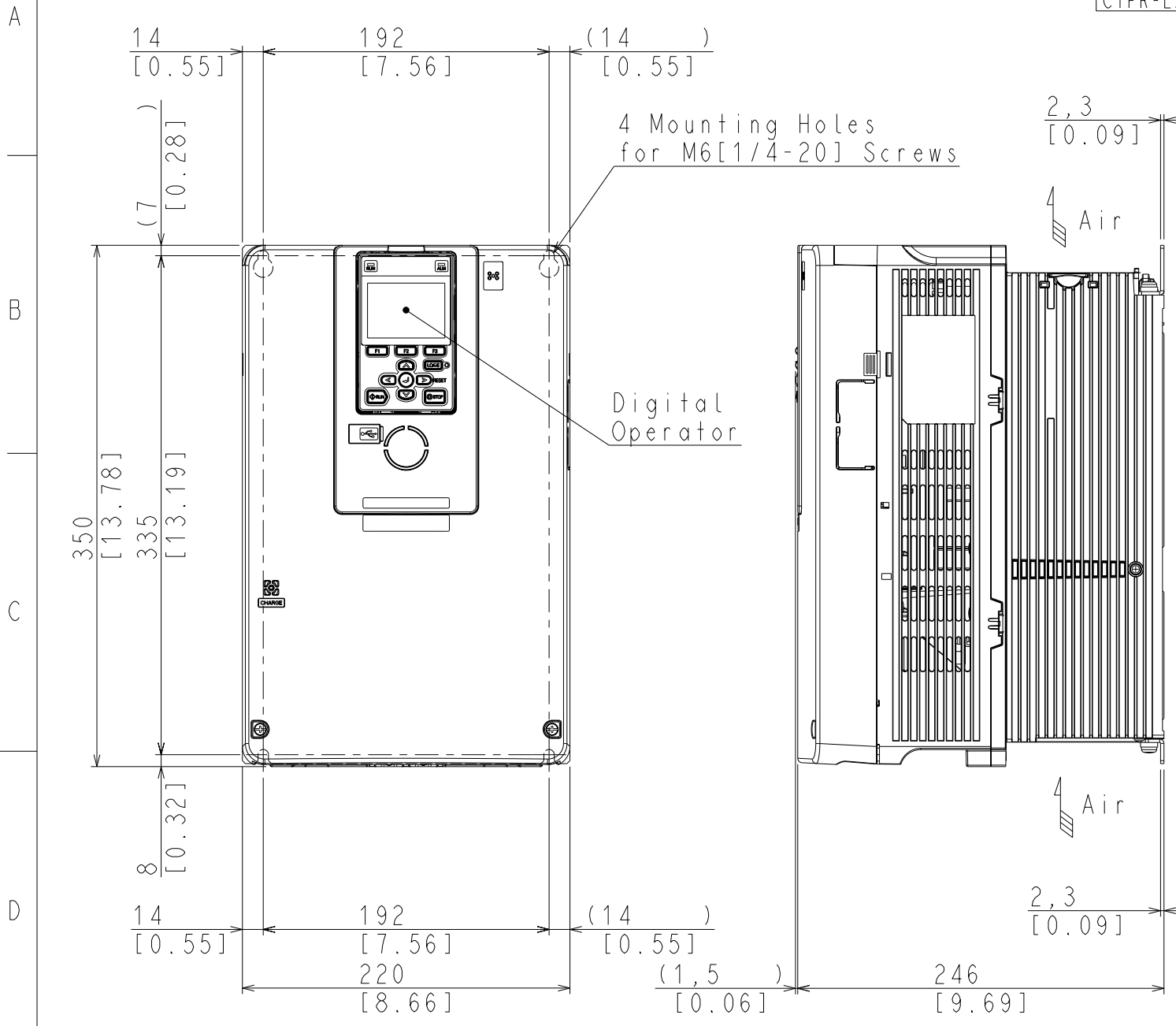


DWG. NO. 900-287-806-1/1

Third Angel Projection
Dimensions in mm[inch]

□: A to Z
#: A to Z

Model No. CIPR-LA700□4056□□□□-#□□□□□	Max Appli. Motor (kW) 22	Terminal Symbol		Cooling Fan 2	Mass(kg[Lb])	
		INPUT R/L1 S/L2 T/L3	OUTPUT(MOTOR) U/T1 V/T2 W/T3		EMC noise Filter	
					No Internal EMC Filter	Internal EMC Filter(C2)
					13[27.6]	13[27.6]



Scale 1:4

F	DRWN.	S.Oshima	TITLE	LA700 IP20 TYPE	DRWN. DATE	22-07-19	REV.
	CHKD.	R.Nagashima	DIMENSION DIAGRAM		DWG. NO.	900-287-806 1/1	
	APRV.	T.Yanagimoto			SIZE	A3	
SCALE		---					

YASKAWA