

MOTOMAN MPK2F-5

Handling, Picking & Packing
with the MPK-series



The MOTOMAN MPK2F-5 is a five-axis, high-speed robot that is particularly suitable in the following areas: order-picking, high-speed handling, picking-packing-palletizing and many other handling applications.

With its Wash-Down paintwork, the MPK2F-5 has been developed especially for use in the food industry and in environments with strict cleanliness requirements.

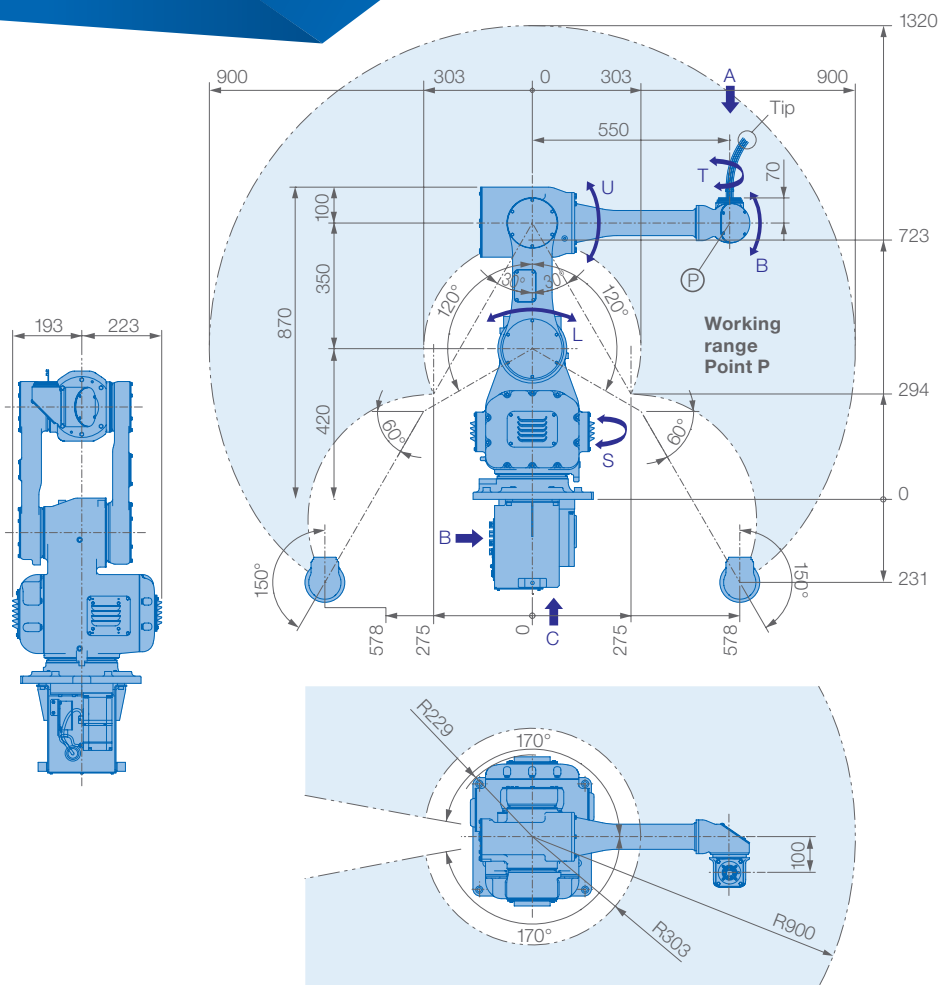
Thanks to its compact and streamlined design, the robot can operate even in confined workspaces. The hollow-wrist design of the MPK2F-5 allows integrated supply lines for energy, fluids and air – all the way from the robot base to the tool.

This high-speed robot, with a payload of 5 kg, is characterized by its very high velocity and acceleration. With a maximum of 133 cycles/minute, this robot combines performance and reliability in all handling applications.

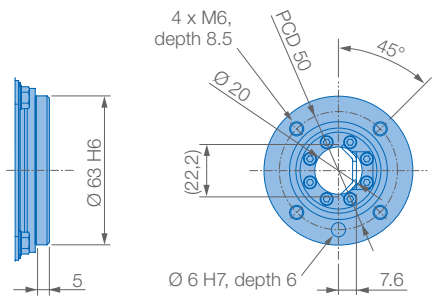
This allround-robot is driven by the MOTOMAN FS100 compact controller.

KEY BENEFITS

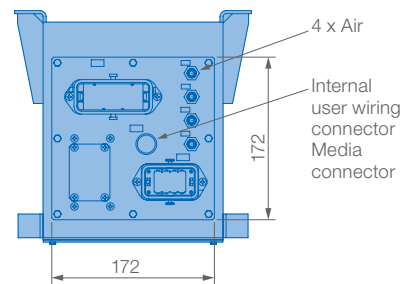
- "Wash-down-painting" for maximum hygiene
- Minimal footprint
- Fast acceleration, high speed increase productivity
- Integrated supply lines for energy, fluids and air facilitates integration
- Optional vision and conveyor tracking for maximum flexibility
- Mounting options: Floor, ceiling, wall to suit cell integration



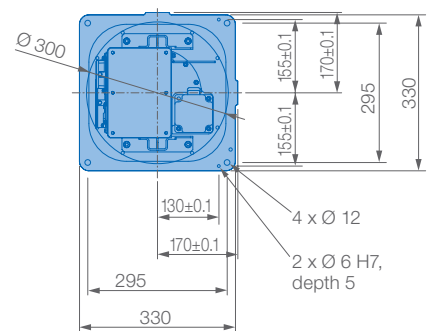
View A



View B

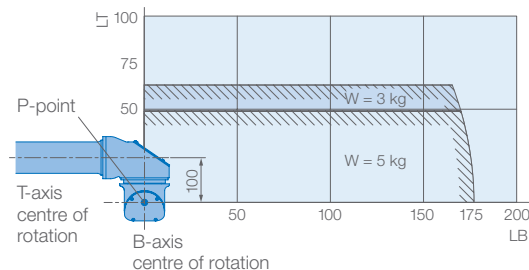


View C



Mounting options: Floor, ceiling, wall

Allowable wrist load



Specifications MPK2F-5						
Axes	Maximum motion range [°]	Maximum speed [°/sec.]	Allowable moment [Nm]	Allowable moment of inertia [kg · m ²]	Controlled axes	
					Max. payload [kg]	
S	±170	320	-	-	5	Repeatability [mm]
L	±120	330	-	-	5	Max. working range R [mm]
U	+240/-60	330	-	-	±0.5	Temperature [°C]
B	±15	380	3.5	0.065	0 to +40	Humidity [%]
T	±270	2000	1.5	0.012	20 - 80	Weight [kg]
Optional accessory: Wash down cover – Order number 151915					72	Power supply, average [KVA]
					1.5	

