

# TSL-1000

Floor mounted track.

## Key benefits

- Outstanding speed.
- Quiet operation.
- For high payload robots.

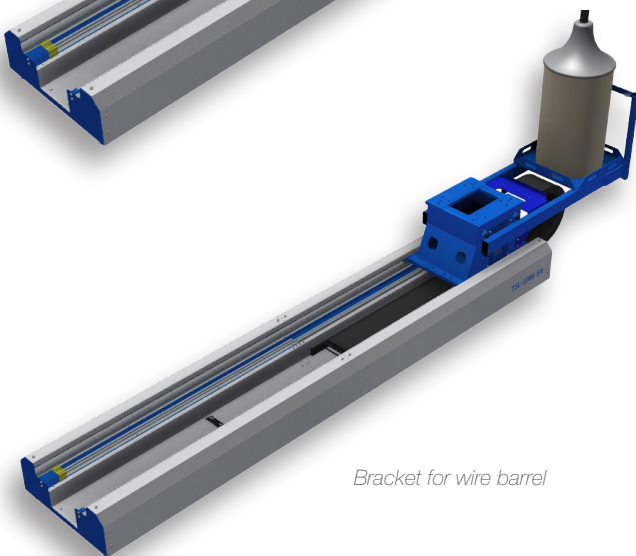
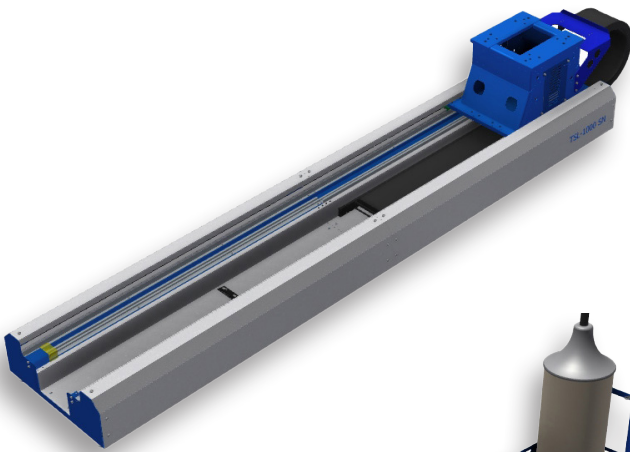
This is a servo powered floor mounted track with one or two robot carriages. It can be used to transport a robot from one station to another, or to increase the robot's working range. The TSL track is prepared for zeroing function.

Since the track is built in two- or four meter modules, it is easy to extend to a suitable length.

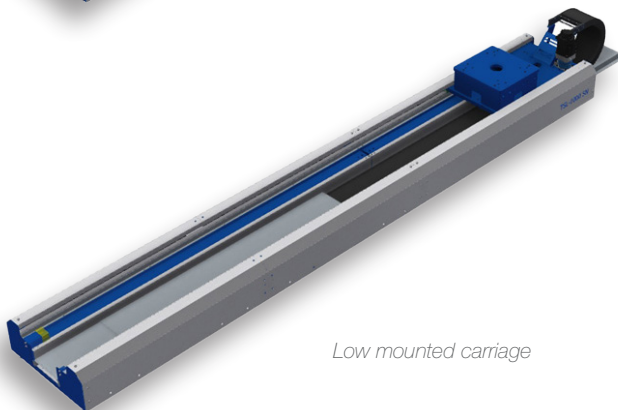
Standard lengths up to 24 meters, and possible with longer tracks on request.

## Options

- Automatic lubrication (rack and guide blocks).
- Additional carriage.
- Brackets for wire barrel.



*Bracket for wire barrel*

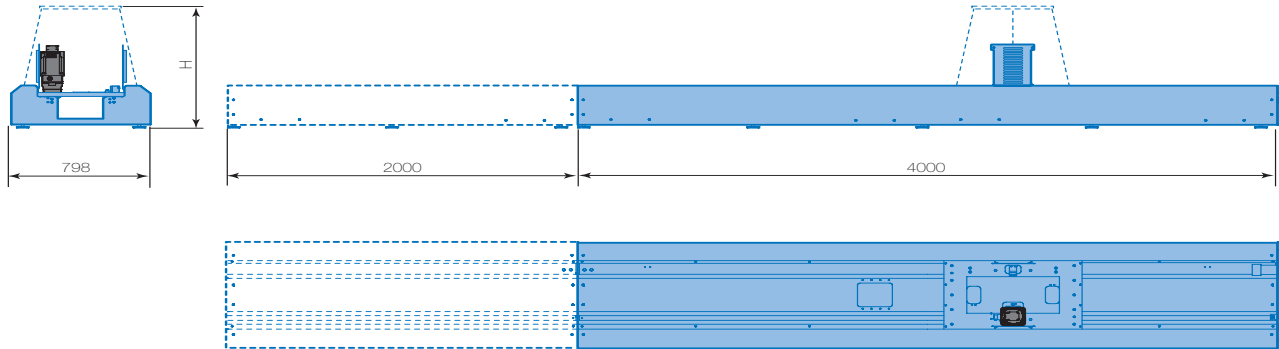


*Low mounted carriage*

New generation  
**Sigma-7**

Controlled by  
**YRC1000**

# TSL-1000



All dimensions are for reference only.

Request detailed drawings for design/engineering requirements!

Technical data		TSL-1000 SY
Maximum payload		1000 kg
Maximum speed		1.8 m/s
ED		50%
Acceleration velocity		1.6 m/s <sup>2</sup>
Travel	500 mm 1000 mm	1.0 sec 1.38 sec
Repetitive position accuracy		±0.06 mm
Height (H) including robot stand		467*, 687, 887, 1087, 1287, 1487 mm
Standard length (L)		2, 3, 4 up to 24 meter (in 2 meter steps)
Travel length, stroke (TL)		L -850 mm (L -1065 mm)*

\*) Low carriage

# YASKAWA



YASKAWA Nordic AB  
PO Box 504  
SE-385 25 Torsås, SWEDEN

Phone +46 480 41 78 00  
info.se@yaskawa.eu.com  
www.yaskawa.eu.com