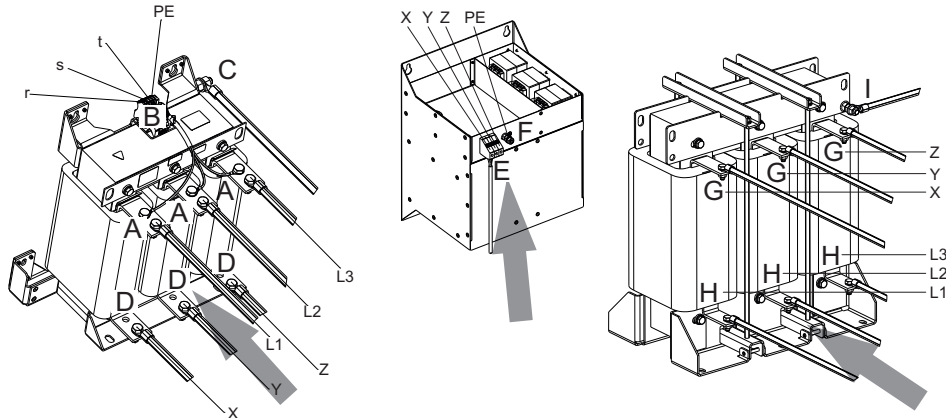


Electrical installation



For choosing conductor cross section, cable style and detailed wiring, read latest version of Yaskawa D1000 technical manual



Connect wiring on this terminal and busbar side!

Terminal size and tightening torque

3% choke module	A POWER SUPPLY terminal size mm ²		B D1000 voltage detection terminal size mm ² torque Nm		C PE filter frame bolt size torque Nm		D 10% choke module terminal size mm ²
	busbar		2.5	0.4...0.8	M12	15.5±1.5	
capacitor box module	E 3% choke module terminal size mm ² torque Nm		F PE filter frame bolt size torque Nm				
	16	2...2.3	M8	6±0.3			
10% choke module	G 3% choke module terminal size mm ² torque Nm		H D1000 main circuit terminal size mm ²		I PE filter frame bolt size torque Nm		
	busbar		busbar		M12	15.5±1.5	



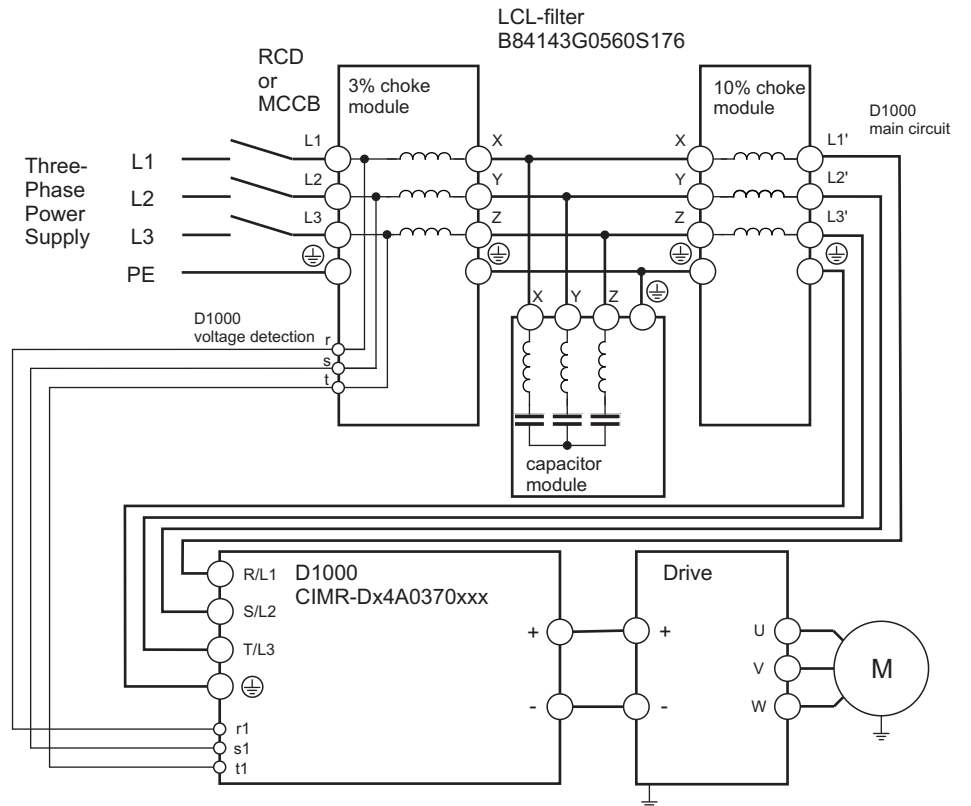
Reading and understanding „Cautions and warnings“ as well as „Important notes“ in the latest datasheet version of the dedicated LCL-filter is mandatory before installation!

Installation guide

Characteristics

I_R	Terminal cross section LINE/LOAD mm ²	Terminal cross section voltage detection mm ²	R_{typ} mΩ	Approx. weight kg	LCL-filter type	Converter type CIMR-	
A	560	busbar	2.5	1.25	265	B84143G0560S176	Dx4A0370xxx

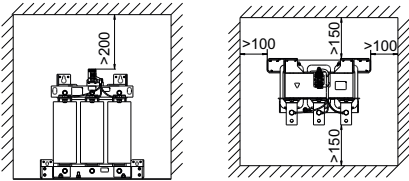
Standard connection diagram



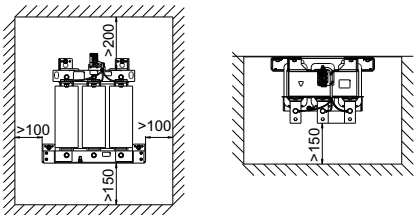
Mechanical installation

Convection space

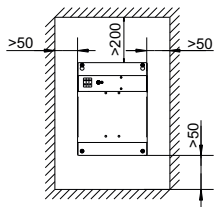
3% choke
for floor mounted design



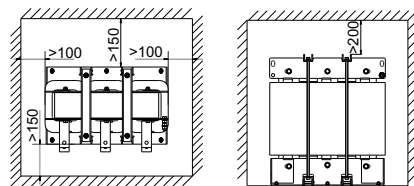
3% choke
for wall mounted design



Capacitor box

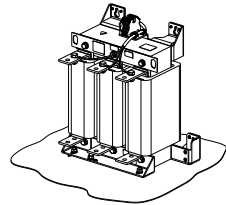


10% choke

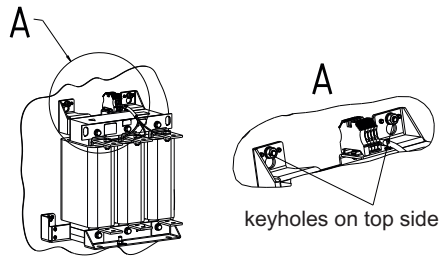


Mounting direction

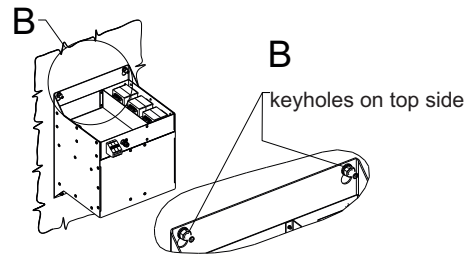
3% choke
for floor mounted design



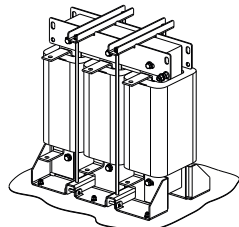
3% choke
for wall mounted design



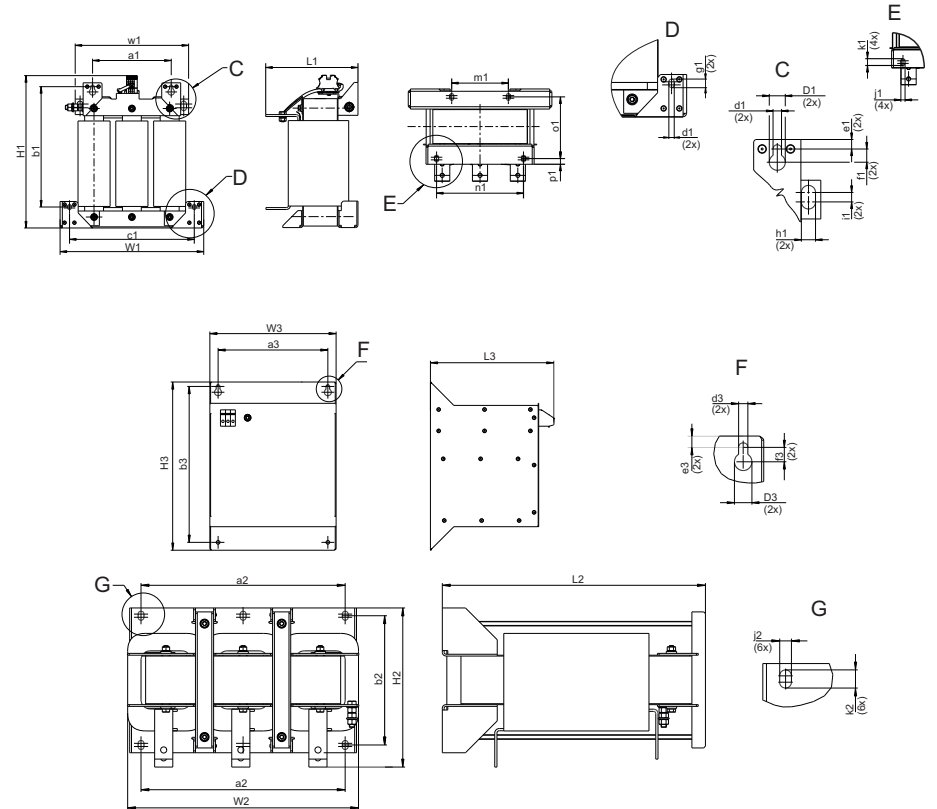
Capacitor box



10% choke



Dimensions



L1 ±5	W1	H1 ±2.5	d1	D1	a1	b1 ±2.5	w1	e1	f1	g1	h1	i1	c1	m1	n1	o1	k1	j1	p1
244	380	403	9	17	208	318.	300	10	14	14	15	10	330	150	230	163	18	11	15
L2 max.	W2 max.	H2 ±5	j2	k2	a2	b2 ±2	L3	W3	H3	d3	D3	a3	b3	e3	f3				
585	520	358	13	20	450	285	300	307	409	9	17	267	379	11	14				

Tightening torque for fixing screws:

For standard screw connection to the filter attachment it is referred to state-of-the-art solutions, as the tightening torques depend on the nominal size, length, strength class, corrosion protection and lubricants